

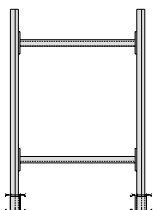


BRACE SETS

Braces are structural channel members that are bolted between pairs of uprights to provide lateral stability to the rack system. X-bracing is utilized to increase the lateral stability of the taller (15' to 20') uprights. Brace

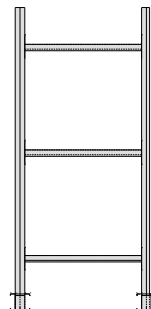
lengths are measured from centerline of upright to centerline of the next upright and are sold in sets rather than individual pieces. Standard brace color is gray.

Standard MECO OMAHA Brace Patterns



"2B" Horizontal Brace Pattern

Used on 6' to 10' Series 1000 uprights and 8' Series 2000, Series 3000 and Series 4000 uprights.

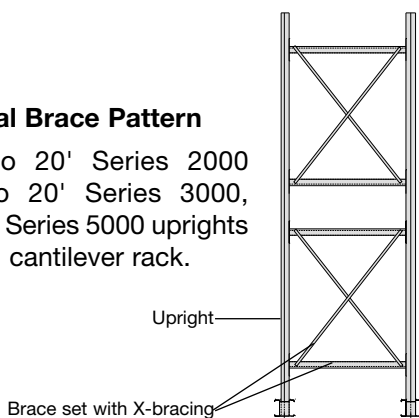


"3B" Horizontal Brace Pattern

Used on 12' Series 1000 uprights, 10' to 14' Series 2000, Series 3000 and Series 4000 uprights and 12' to 14' Series 5000 uprights.

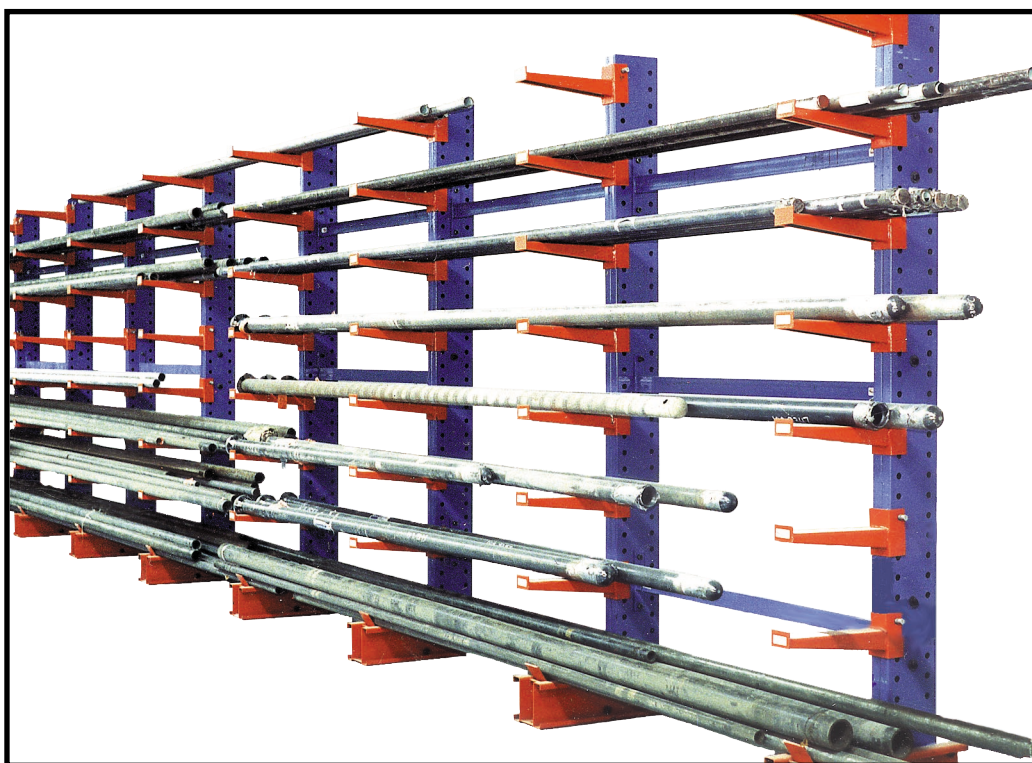
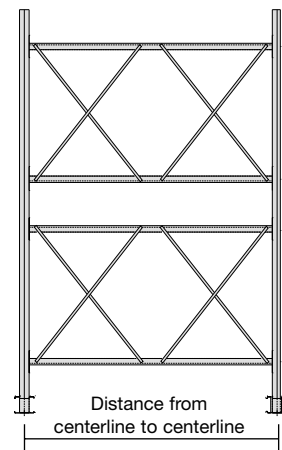
"4BX" Horizontal Brace Pattern

Used on 16' to 20' Series 2000 uprights, 15' to 20' Series 3000, Series 4000 and Series 5000 uprights and all structural cantilever rack.



"4BXX" Horizontal Brace Pattern

Used on all 15' to 20' uprights when the brace length exceeds 84" centerline to centerline of upright.



MECO OMAHA cantilever rack application consisting of uprights, arms and braces.

Standard color for all cantilever rack components is gray. Custom colors available at additional cost.